

SC HF OFF-GRID INVERTER



APPLICATIONS

Mainly used in household solar power generation, used to drive household small power load of electrical appliances.



Farm



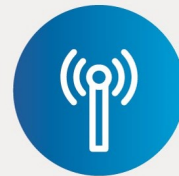
Family



Outdoors



Villa



COMSAT Station



Grassland

PRODUCT DISPLAY

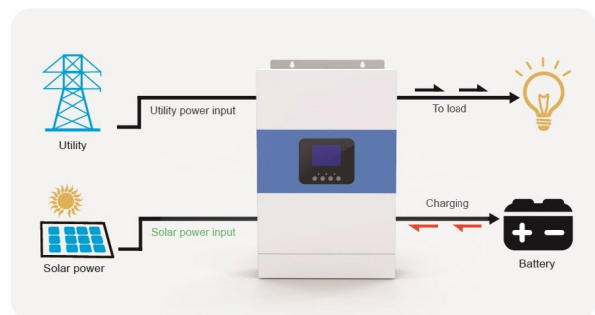
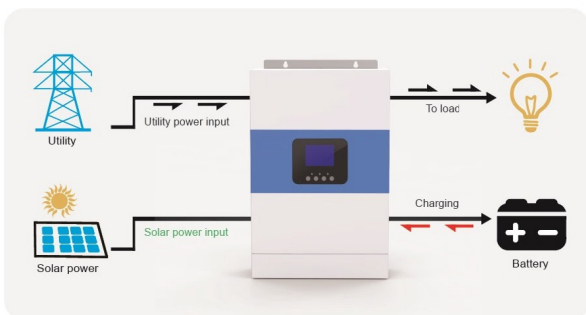


KEY FEATURES

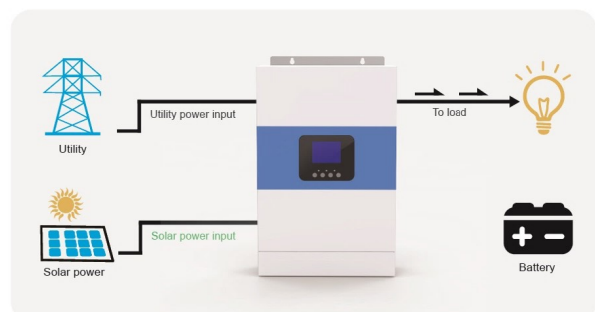
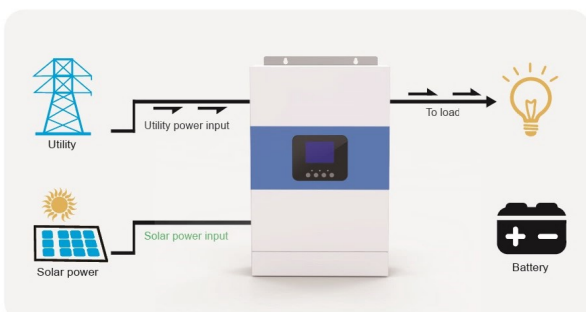
- Pure sine wave off-grid type optical storage integrated machine
- Output power factor 1
- Up to 6 units can be Paralleled
- Wide PV input voltage range (120-500VDC)
- It can work normally without a battery
- Built-in 100A MPPT solar charger
- Battery balancing feature optimizes battery performance and extends life
- Built-in dust screen for use in harsh environments

SYSTEM DIAGRAM

■ With battery connected

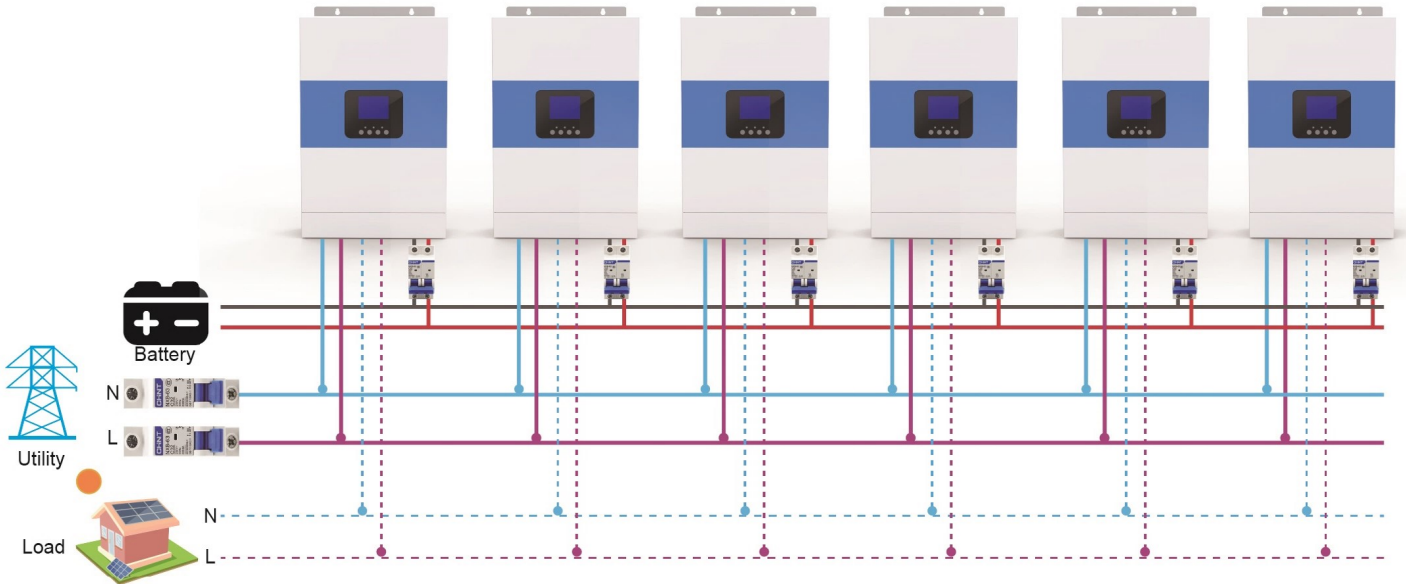


■ Without battery connected

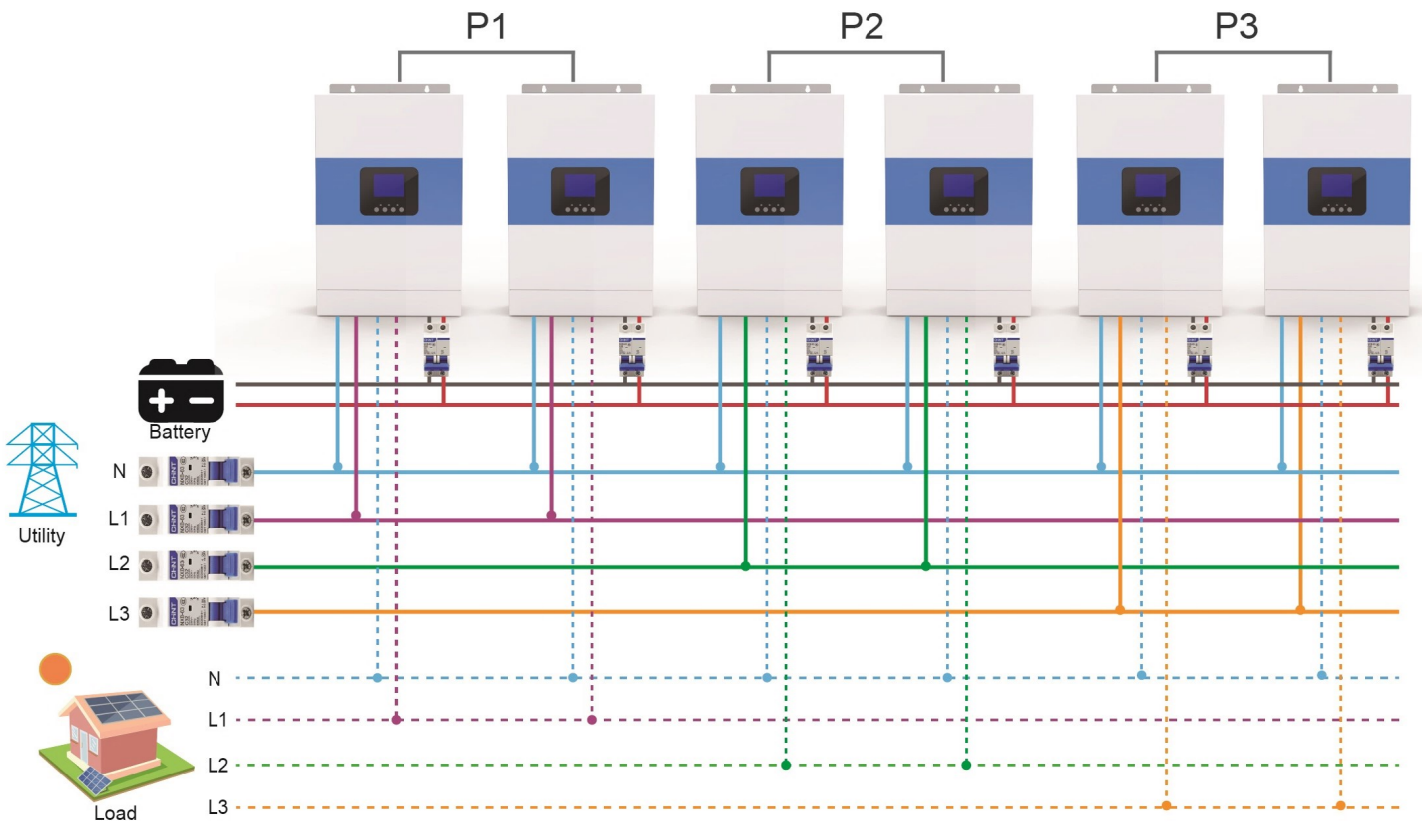


PARALLEL FUNCTION

■ Single phase output up to 33KW using 6 units



■ Three phase output using either 3units (16.5KW) or max 6units (33KW)



PRODUCT PARAMETERS

PRODUCT DISPLAY	SC HF 3500-24	SC HF 5500-48
Rated power	3500VA/3500W	5500VA/5500W
Input		
Voltage	230VAC	
Voltage range	170-280VAC (Suitable for personal computers) 90-280VAC (Suitable for household appliances)	
Frequency range	50Hz/60Hz (Automatic adaptation)	
Output		
Grid voltage regulation (battery mode)	230VAC±5%	
Surge power	7000VA	11000VA
Peak Efficiency	>93.6%	
Switch time	10ms	
Waveform	Pure sine wave	
Battery		
Battery voltage	24VDC	48VDC
Float charge voltage	27VDC	54VDC
Overcharge protection	33VDC	63VDC
PV Charge & AC Charge		
MAX. PV Array Power	5000W	6000W
PV maximum open circuit voltage	500VDC	
MPPT operating voltage range	120VDC-450VDC	
Maximum PV charge current	100A	
Maximum AC Charge Current	80A	
Physical properties		
Package size D*W*H(mm)	565*403*217	
Gross Weight (kgs)	10.5	11.5
Communication interface	RS232/USB (Standard) WiFi (Optional)	
Environment		
Humidity	5% to 95% Relative humidity (non-condensing)	
Operating temperature	-10°C-50°C	
Storage temperature	-15°C-60°C	

Note : Product specification are subject to change without further notice.