

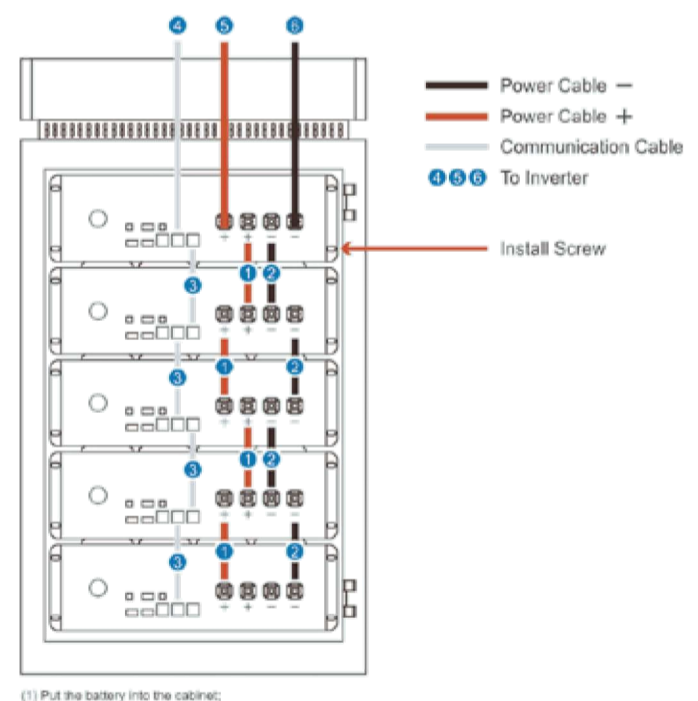
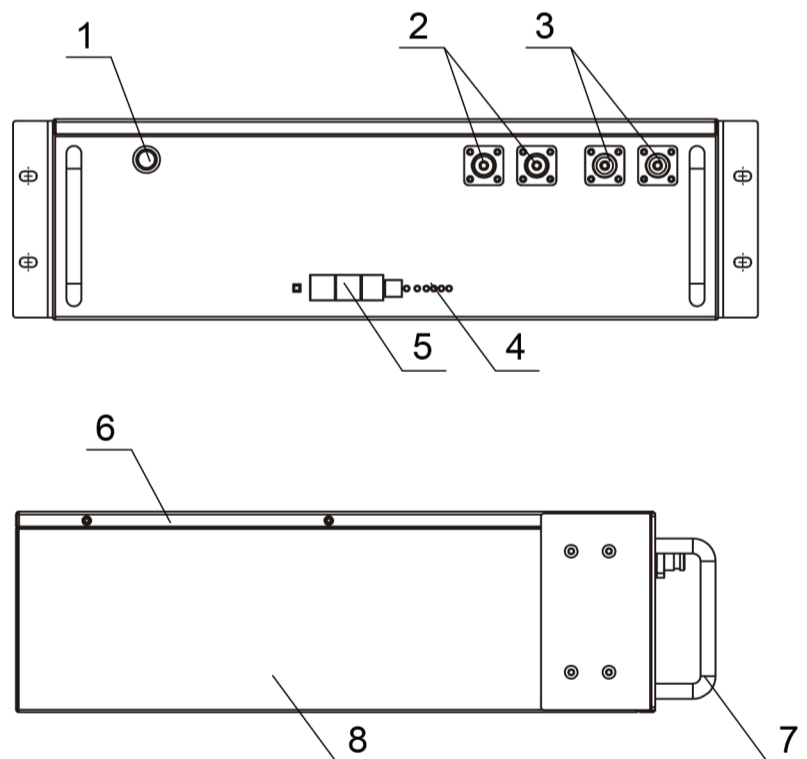
# 48V Energy Storage LiFePO4 Battery

## Features

- ◆ Standardized design: standard 3U and 4U case, good applicability
- ◆ In parallel to enlarge energy: Add the current limiting module, support multiple battery parallel use, expand the battery capacity, meet the high energy demand of customers.
- ◆ Intelligent lithium battery management system: With RS485 communication, you can monitor the battery status at any time and set protection parameters such as charge and discharge according to customers' requirements.
- ◆ Warning function: Warning functions such as overcharge, overdischarge, overcurrent, high temperature and low temperature can greatly reduce the potential safety hazard.
- ◆ Balancing: Automatic collection of battery single series voltage, pressure difference up to 30mV (can be set), automatic start equalization function.



## Structural Parts Description



1	OFF/ON	5	RS485 /CAN
2	M6 Positive terminal (2pcs)	6	Box cover
3	M6 Negative terminal (2pcs)	7	Box
4	Battery indicator	8	Handle

## Parameters

Model	M15S050BL	M15S100BL	M16S100BL	
<b>Basic Characteristics</b>	Nominal Voltage	48V	48V	51.2V
	Nominal Capacity	50Ah	100Ah	100Ah
	Efficiency	≥96%	≥96%	≥96%
	Inner Resistance	10mΩ	7mΩ	7mΩ
	Cell Type	LiFePO <sub>4</sub>	LiFePO <sub>4</sub>	LiFePO <sub>4</sub>
<b>Charging Characteristics</b>	Charge Voltage	54.7V	54.7V	58.2V
	Standard Charging Current	10A	20A	20A
	Max.Continuous Charging Current	50A	100A	100A
<b>Discharge Characteristics</b>	Standard Discharge Current	25A	50A	50A
	Continuous Discharge Current	50A	100A	100A
	Peak Discharge Current	100A (3s)	200A (3s)	200A (3s)
	Discharge Cut-off Voltage	40V	40V	42V
<b>Environmental Requirements</b>	Charge Temperature Range	0~60°C	0~60°C	0~60°C
	Discharge Temperature Range	-10°C~65°C	-10°C~65°C	-10°C~65°C
	Storage Temperature Range	-5~40°C	-5~40°C	-5~40°C
	Storage Humidity	65±20%HR	65±20%HR	65±20%HR
<b>Mechanical Characteristics</b>	Size(L×W×H)	453×493×133mm	515×493×175mm	515×493×176mm
	Package Size (L×W×H)	530×480×230mm	530×540×260mm	530×540×260mm
	Shell Material	SPCC	SPCC	SPCC
	Net Weight	27.5kg	41kg	45kg
	Gross Weight	39.5kg	47kg	55kg
	Package Method	1pcs per carton	1pcs per carton	1pcs per carton
<b>Others Characteristics</b>	Cycle Life	≥6000 times	≥6000 times	≥6000 times
	Self Discharge	2% per month	2% per month	2% per month
	SOC Indication	LED Light	LED Light	LED Light
	Communication Mode	RS485	RS485/CAN	RS485/CAN
	Matching Inverter	Growatt, Goodwe, Deye, Luxpower, SRNE etc		

## Product Application Diagram

